

Stainless Steel Straddle Stacker

Features

- 100% Stainless steel frame carriage, forks and undercarriage
- Available in 304L and 316L stainless steel
- Capacities 500 to 5,000 lbs
- Finishes 2B, electro polished and 35 RA
- Clean room compliant
- For Food, pharmaceutical, chemical and other washdown applications
- Custom fork sizes
- cGMP Models available
- Lift heights to 189 inches
- Custom designs
- EE EX rated available
- UL and CE approved

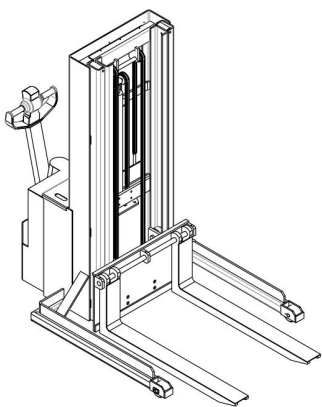
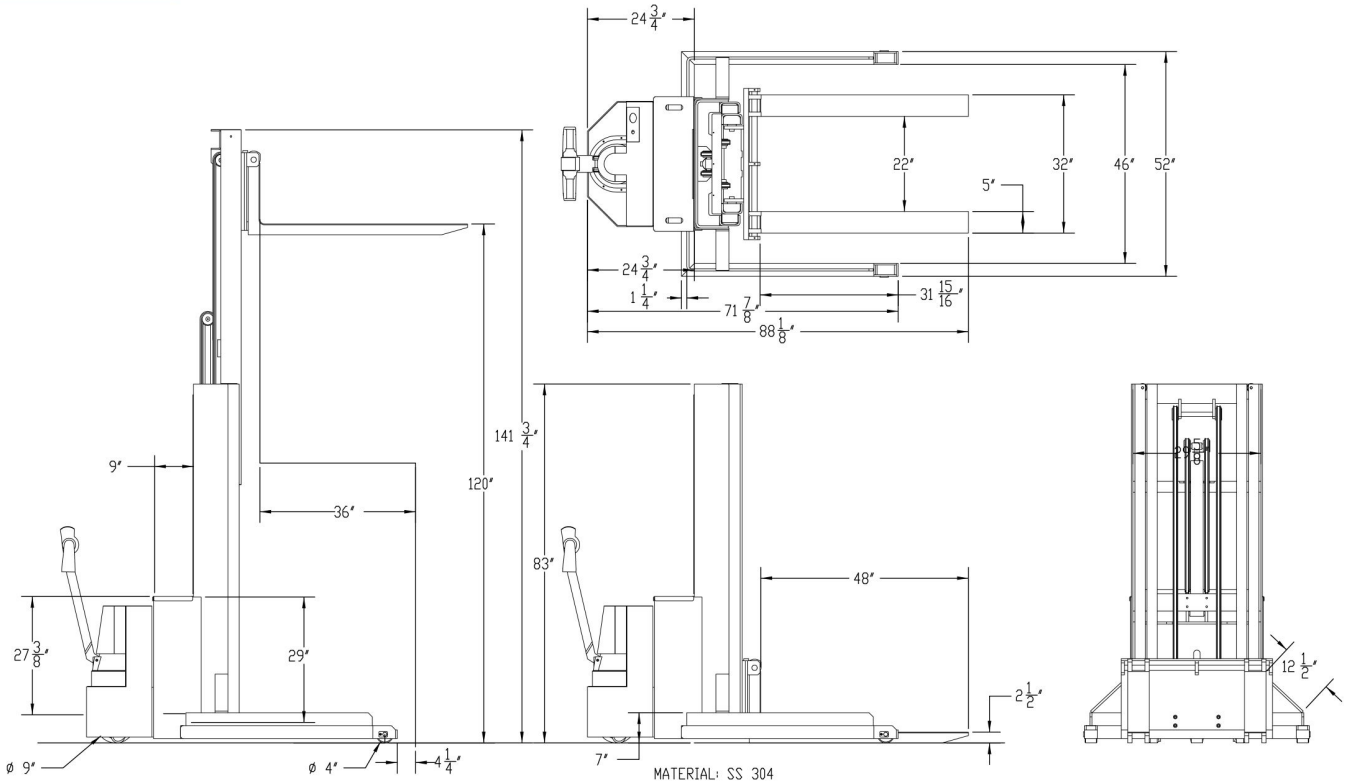


Technical data

Model	Capacity	Voltage	Heights	Outrigger
SL SS SS 10	1,000	24 V AC	36" x 154"	34" x 54"
SL SS SS 20	2,000	24 V AC	36" x 154"	34" x 54"
SL SS SS 25	2,500	24 V AC	36" x 154"	34" x 54"
SL SS SS 30	3,000	24 V AC	36" x 154"	34" x 54"

Stainless Steel Straddle Stacker

Drawings



Options

- cGMP
- EE and EX rated trucks available
- Epoxy coatings, galvanized, nickel plated and linex coatings available
- Rider platforms
- Horizontal travel models
- Straddle trucks, counterbalance fork over and walkie reach trucks are all available