

# Stainless Steel Self Adjusting Lift Tables

## Features

- Solid formed platform and base frame eliminating cracks and crevices
- Bolt together designs eliminating pinholes in welds and potential holes where bacteria can hide
- Delrin rollers and delrin bushings and bearings eliminating rust from teflon bushings and steel bearings leaking into your process
- Optional sanitation package that keeps your lift off the floor, making it simpler to clean your facility
- Air eliminates springs that will rust and crack and eventually fail
- Self adjusting and operator adjusted designs for the best ergonomic options
- Large rotator rollers for improved ergonomics



Bolt Together



Delrin Rollers and Bearings



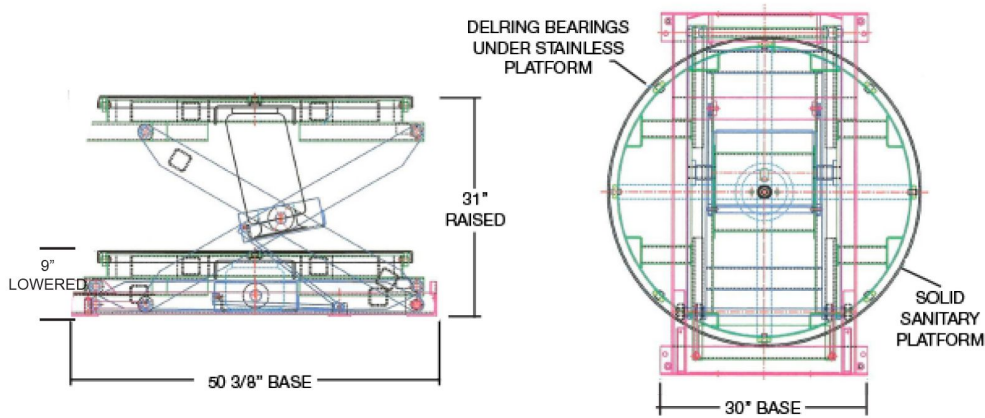
Sanitation Package

## Options

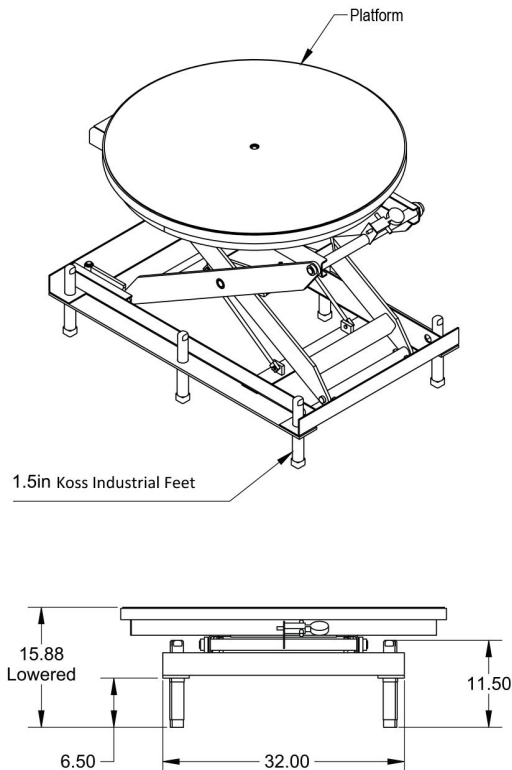
- Stainless feet
- Fork pockets
- Stainless Bellows
- Clean room Bellows
- Fixed platform
- Rectangular platform

# Stainless Steel Self Adjusting Lift Tables

## Standard



## Option 1 Adjustable feet



## Option 2 Open platform | Side fork pockets

